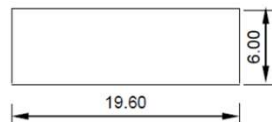
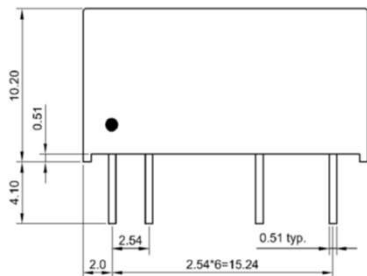


1:1 Input Range A1SC Series

1Watt SIP7 Package Single Output, 1kVDC Isolation, Operating Temp. -40to+85°C

型名	入力電圧(V)	出力電圧(V)	出力電流(mA)	効率(%)	負荷変動率	リップルノイズ
A1SC-3.33.3	3.3	3.3	300	70-84	15% max	75mVp-p max
A1SC-3.305		5	200		15% max	
A1SC-3.312		12	84		10% max	
A1SC-3.315		15	66		10% max	
A1SC-053.3	5	3.3	300		15% max	
A1SC-0505		5	200		15% max	
A1SC-0512		12	84		10% max	
A1SC-0515		15	66		10% max	
A1SC-123.3	12	3.3	300		15% max	
A1SC-1205		5	200		15% max	
A1SC-1212		12	84		10% max	
A1SC-1215		15	66		10% max	
A1SC-243.3	24	3.3	300		15% max	
A1SC-2405		5	200		15% max	
A1SC-2412		12	84		10% max	
A1SC-2415		15	66		10% max	



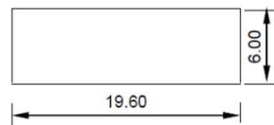
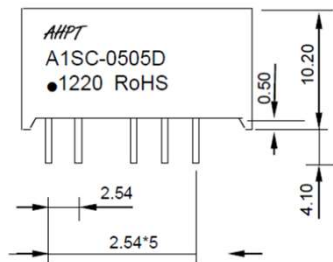
ピン配置

Pin	1	2	3	4	5	6	7
Single	+Vin	-Vin	No pin	No pin	-Vout	+Vout	No pin

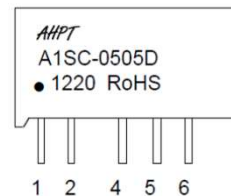
1:1 Input Range A1SC Series

1Watt SIP7 Package Dual Output, 1kVDC Isolation, Operating Temp. -40to+85°C

型名	入力電圧(V)	出力電圧(V)	出力電流(mA)	効率(%)	負荷変動率	リップルノイズ
A1SC-3.33.3D	3.3	±3.3	±152	70-84	15% max	100mVp-p max
A1SC-3.305D		±5	±100		15% max	
A1SC-3.312D		±12	±42		10% max	
A1SC-3.315D		±15	±33		10% max	
A1SC-053.3D	5	±3.3	±152		15% max	
A1SC-0505D		±5	±100		15% max	
A1SC-0512D		±12	±42		10% max	
A1SC-0515D		±15	±33		10% max	
A1SC-123.3D	12	±3.3	±152		15% max	
A1SC-1205D		±5	±100		15% max	
A1SC-1212D		±12	±42		10% max	
A1SC-1215D		±15	±33		10% max	
A1SC-243.3D	24	±3.3	±152		15% max	
A1SC-2405D		±5	±100		15% max	
A1SC-2412D		±12	±42		10% max	
A1SC-2415D		±15	±33		10% max	



ピン配置



Pin	1	2	3	4	5	6	7
Single	+Vin	-Vin	No pin	-Vout	COM	+Vout	No pin

1:1 Input Range A1SC Series

1Watt SIP7 Package Single Output, 2kVDC Isolation, Operating Temp. -40to+85°C

型名	入力電圧(V)	出力電圧(V)	出力電流(mA)	効率(%)	負荷変動率	リップルノイズ
A1SC-3.33.3K2	3.3	3.3	300	70-84	15% max	75mVp-p max
A1SC-3.305K2		5	200		15% max	
A1SC-3.312K2		12	84		10% max	
A1SC-3.315K2		15	66		10% max	
A1SC-053.3K2	5	3.3	300		15% max	
A1SC-0505K2		5	200		15% max	
A1SC-0512K2		12	84		10% max	
A1SC-0515K2		15	66		10% max	
A1SC-123.3K2	12	3.3	300		15% max	
A1SC-1205K2		5	200		15% max	
A1SC-1212K2		12	84		10% max	
A1SC-1215K2		15	66		10% max	
A1SC-243.3K2	24	3.3	300		15% max	
A1SC-2405K2		5	200		15% max	
A1SC-2412K2		12	84		10% max	
A1SC-2415K2		15	66		10% max	

外形寸法、ピン配置はA1SC 1kVDC Isolation と同じ

1:1 Input Range A1SC Series

1Watt SIP7 Package Dual Output, 2kVDC Isolation, Operating Temp. -40to+85°C

型名	入力電圧(V)	出力電圧(V)	出力電流(mA)	効率(%)	負荷変動率	リップルノイズ
A1SC-3.33.3DK2	3.3	±3.3	±152	70-84	15% max	100mVp-p max
A1SC-3.305DK2		±5	±100		15% max	
A1SC-3.312DK2		±12	±42		10% max	
A1SC-3.315DK2		±15	±33		10% max	
A1SC-053.3DK2	5	±3.3	±152		15% max	
A1SC-0505DK2		±5	±100		15% max	
A1SC-0512DK2		±12	±42		10% max	
A1SC-0515DK2		±15	±33		10% max	
A1SC-123.3DK2	12	±3.3	±152		15% max	
A1SC-1205DK2		±5	±100		15% max	
A1SC-1212DK2		±12	±42		10% max	
A1SC-1215DK2		±15	±33		10% max	
A1SC-243.3DK2	24	±3.3	±152		15% max	
A1SC-2405DK2		±5	±100		15% max	
A1SC-2412DK2		±12	±42		10% max	
A1SC-2415DK2		±15	±33		10% max	



外形寸法、ピン配置はA1SC Dual 1kVDC Isolation と同じ

ピン配置

Pin	1	2	3	4	5	6	7
Dual	+Vin	-Vin	No pin	-Vout	COM	+Vout	No pin

1:1 Input Range A1SC Series

1Watt SIP7 Package Single Output,3kVDC Isolation, Operating Temp.-40to+100°C

型名	入力電圧(V)	出力電圧(V)	出力電流(mA)	効率(%)	負荷変動率	リップルノイズ
A1SC-3.33.3K3	3.3	3.3	303	74-88	15% max	100mVp-p max
A1SC-3.305K3		5	200		15% max	
A1SC-3.312K3		12	84		10% max	
A1SC-3.315K3		15	67		10% max	
A1SC-3.324K3		24	42		10% max	
A1SC-053.3K3	5	3.3	303		15% max	
A1SC-0505K3		5	200		15% max	
A1SC-0512K3		12	84		10% max	
A1SC-0515K3		15	67		10% max	
A1SC-0524K3		24	42		10% max	
A1SC-123.3K3	12	3.3	303		15% max	
A1SC-1205K3		5	200		15% max	
A1SC-1212K3		12	84		10% max	
A1SC-1215K3		15	67		10% max	
A1SC-1224K3		24	42		10% max	
A1SC-243.3K3	24	3.3	303	15% max		
A1SC-2405K3		5	200	15% max		
A1SC-2412K3		12	84	10% max		
A1SC-2415K3		15	67	10% max		
A1SC-2424K3		24	42	10% max		

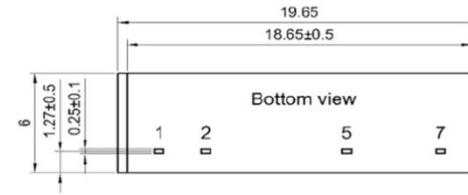
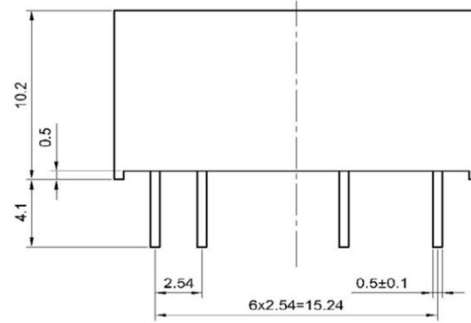
1:1 Input Range A1SC Series

1Watt SIP7 Package Dual Output,3kVDC Isolation, Operating Temp.-40to+100°C

型名	入力電圧(V)	出力電圧(V)	出力電流(mA)	効率(%)	負荷変動率	リップルノイズ
A1SC-3.33.3DK3	3.3	±3.3	±152	74-88	15% max	100mVp-p max
A1SC-3.305DK3		±5	±100		15% max	
A1SC-3.312DK3		±12	±42		10% max	
A1SC-3.315DK3		±15	±34		10% max	
A1SC-3.324DK3		±24	±21		10% max	
A1SC-053.3DK3	5	±3.3	±152		15% max	
A1SC-0505DK3		±5	±100		15% max	
A1SC-0512DK3		±12	±42		10% max	
A1SC-0515DK3		±15	±34		10% max	
A1SC-0524DK3		±24	±21		10% max	
A1SC-123.3DK3	12	±3.3	±152		15% max	
A1SC-1205DK3		±5	±100		15% max	
A1SC-1212DK3		±12	±42		10% max	
A1SC-1215DK3		±15	±34		10% max	
A1SC-1224DK3		±24	±21		10% max	
A1SC-243.3DK3	24	±3.3	±152	15% max		
A1SC-2405DK3		±5	±100	15% max		
A1SC-2412DK3		±12	±42	10% max		
A1SC-2415DK3		±15	±34	10% max		
A1SC-2424DK3		±24	±21	10% max		

1:1 Input Range A1SC Series

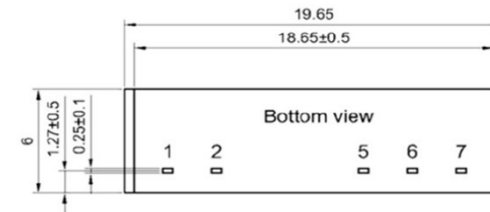
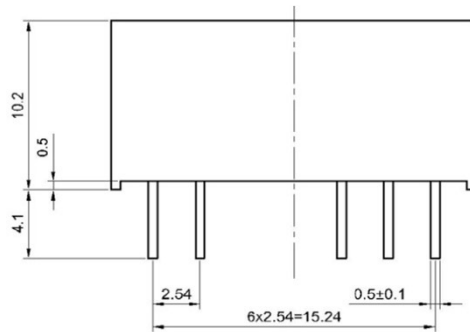
1Watt SIP7 Package Single Output,3kVDC Isolation



ピン配置

Pin	1	2	3	4	5	6	7
Single	+Vin	-Vin	No pin	No pin	-Vout	No pin	+Vout

1Watt SIP7 Package Dual Output,3kVDC Isolation



Pin	1	2	3	4	5	6	7
Dual	+Vin	-Vin	No pin	No pin	-Vout	COM	+Vout

1:1 Input Range A1SC Series

1Watt SIP7 Package Single Output,4kVDC Isolation, Operating Temp.-40to+100°C

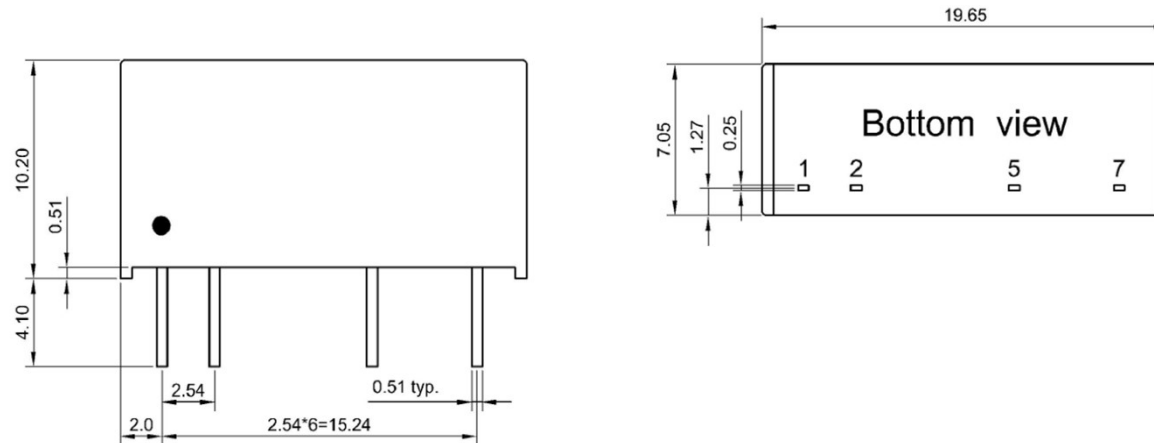
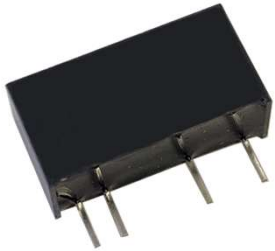
型名	入力電圧(V)	出力電圧(V)	出力電流(mA)	効率(%)	負荷変動率	リップルノイズ
A1SC-0505K4	5	5	200	79	15% max	100mVp-p max
A1SC-2424K4	24	24	42	82	10% max	

1Watt SIP7 Package Single Output,5.2kVDC Isolation, Operating Temp.-40to+95°C

型名	入力電圧(V)	出力電圧(V)	出力電流(mA)	効率(%)	負荷変動率	リップルノイズ
A1SC-0505K5	5	5	200	75	15% max	200mVp-p max
A1SC-2424K5	24	24	42	78.7	10% max	

1:1 Input Range A1SC Series

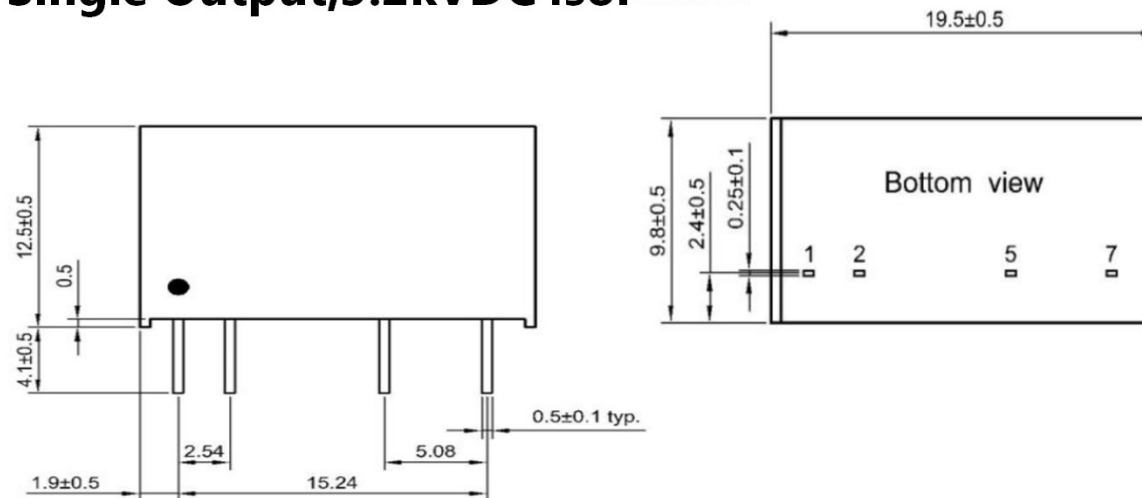
1Watt SIP7 Package Single Output, 4kVDC Isolation



ピン配置

Pin	1	2	3	4	5	6	7
Single	+Vin	-Vin	No pin	No pin	-Vout	No pin	+Vout

1Watt SIP7 Package Single Output, 5.2kVDC Isolation



ピン配置

Pin	1	2	3	4	5	6	7
Single	+Vin	-Vin	No pin	No pin	-Vout	No pin	+Vout